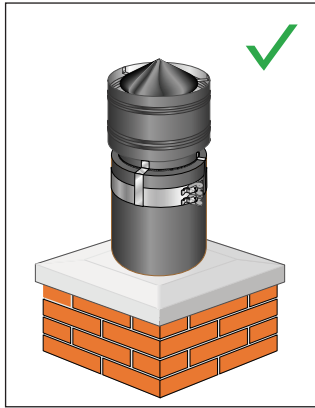
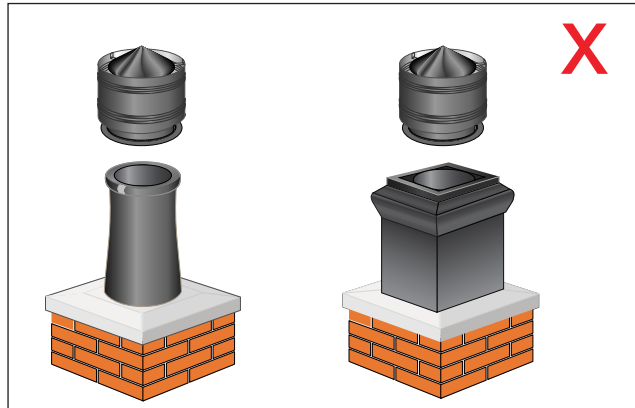


A Chimney Cowl will work in this situation!



But not with a decorative chimney pot!



IQ Design has resolved this problem with its innovated patented **Push Fit Chimney Cows**.

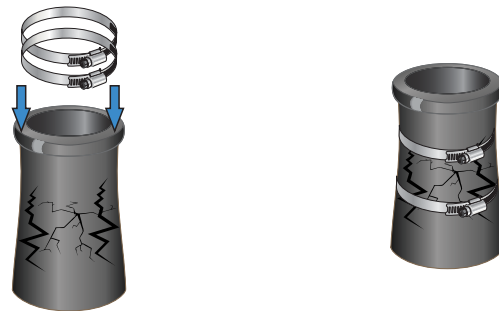
These Cows have been specifically designed for use with Chimneys that terminate with an ornate Chimney Pot. They simply push into the Terminal and are held permanently in place by a series of teeth which grab the inside of the terminal. The unique and patented design allows for removal of the Cowl if required at a later stage.

### How they work?

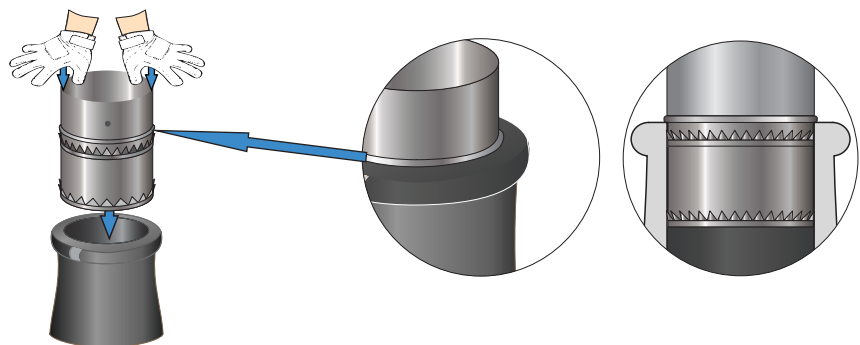
1. Simply unscrew the cowl from the barbed section and separate them.



**Optional:** If your chimney pot is cracked or if you think that it may crack, please secure it with both straps provided before installation.



2. Take the barbed section and push it firmly into the chimney pot.



3. Reattach the cowl to the barbed section using the original screws.

